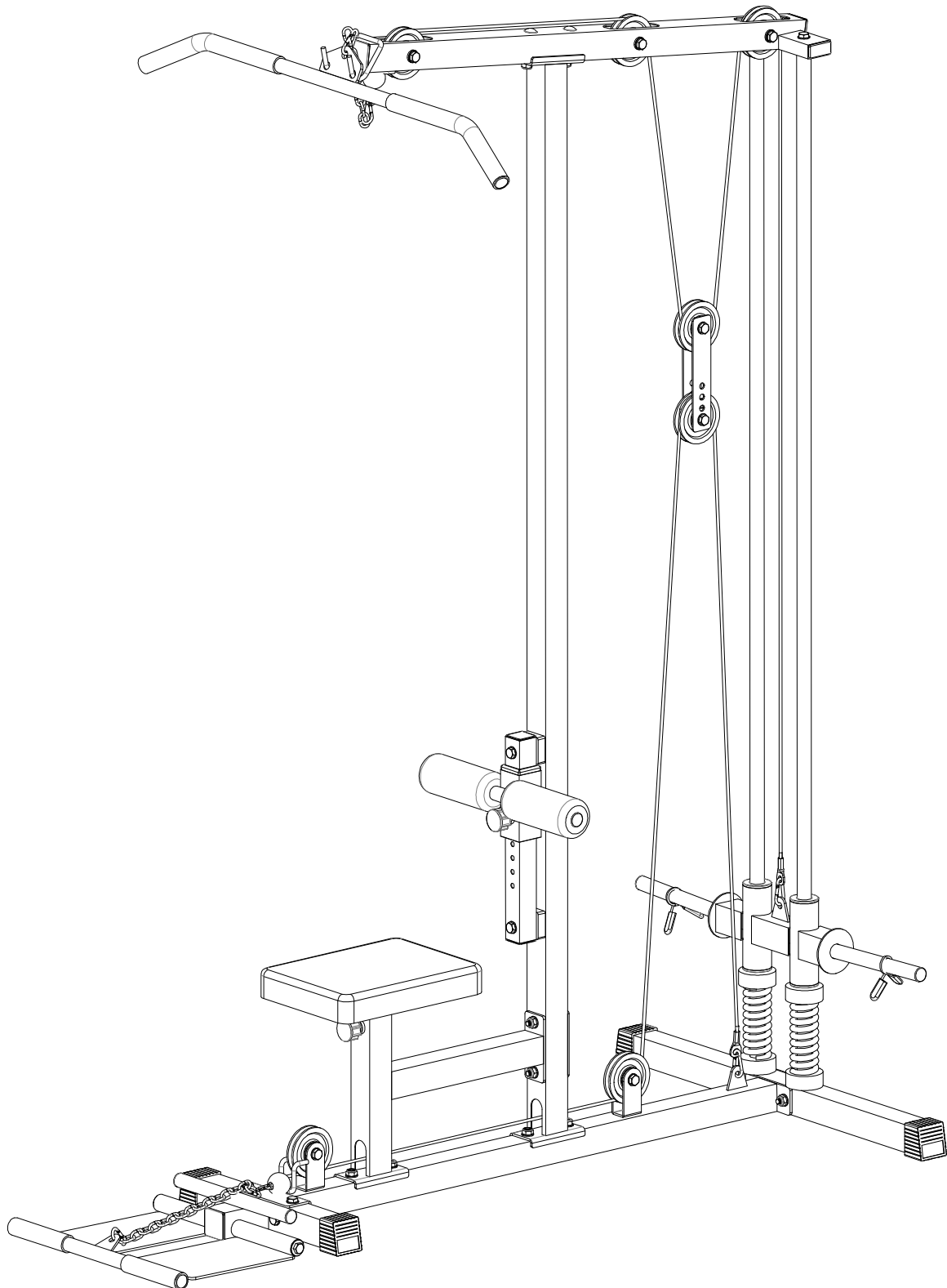


GORILLA SPORTS

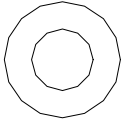
Lat pull machine multi-lat tower (100840)





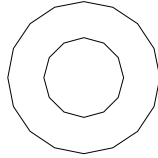
GORILLA SPORTS

Washer: ($\phi 8$)



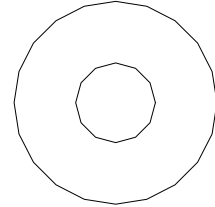
4X

Washer: ($\phi 10$)



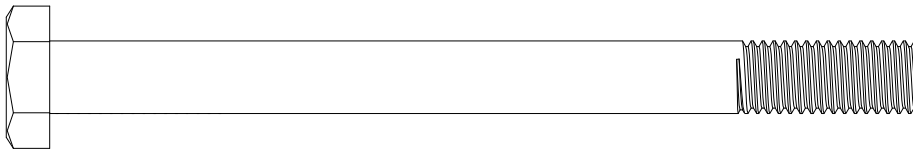
40X

Big Washer: ($\phi 10$)



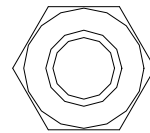
2X

Hex Bolt: (M10*120)



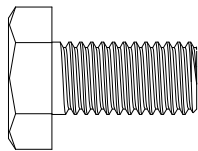
2X

Lock Nut: (M10)



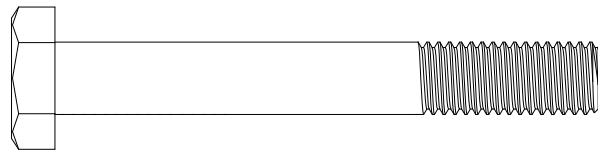
21X

Hex Bolt: (M10*20)



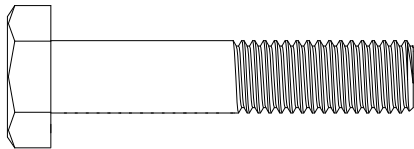
6X

Hex Bolt: (M10*75)



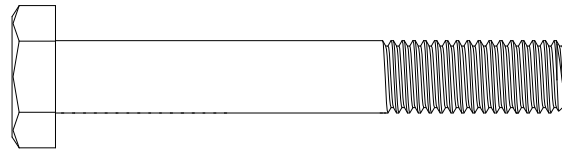
4X

Hex Bolt: (M10*50)



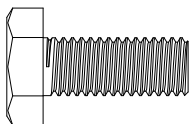
4X

Hex Bolt: (M10*70)



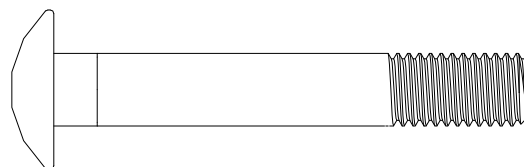
5X

Hex Bolt: (M8*20)



4X

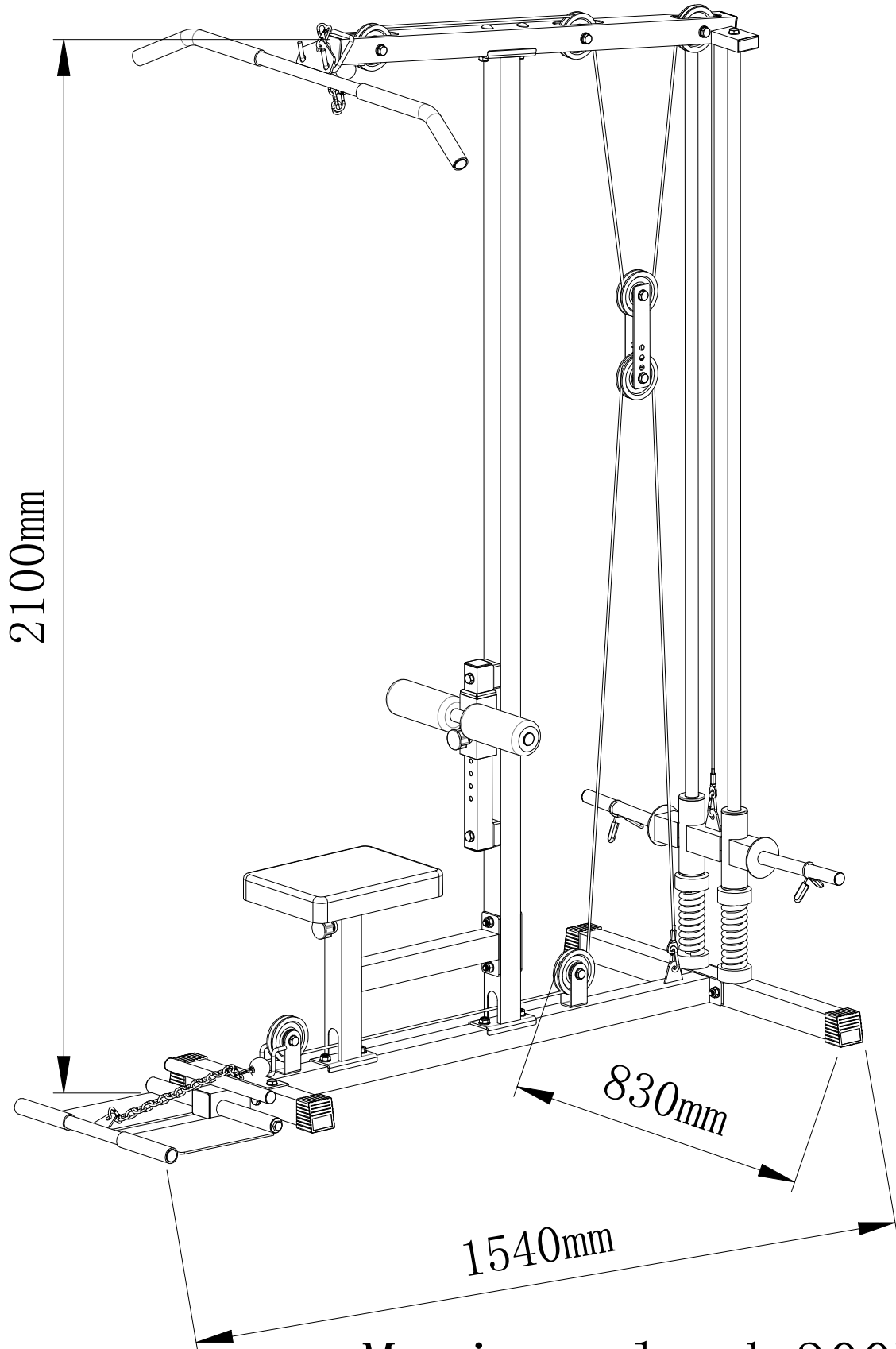
Carriage Screws: (M10*65)



8X

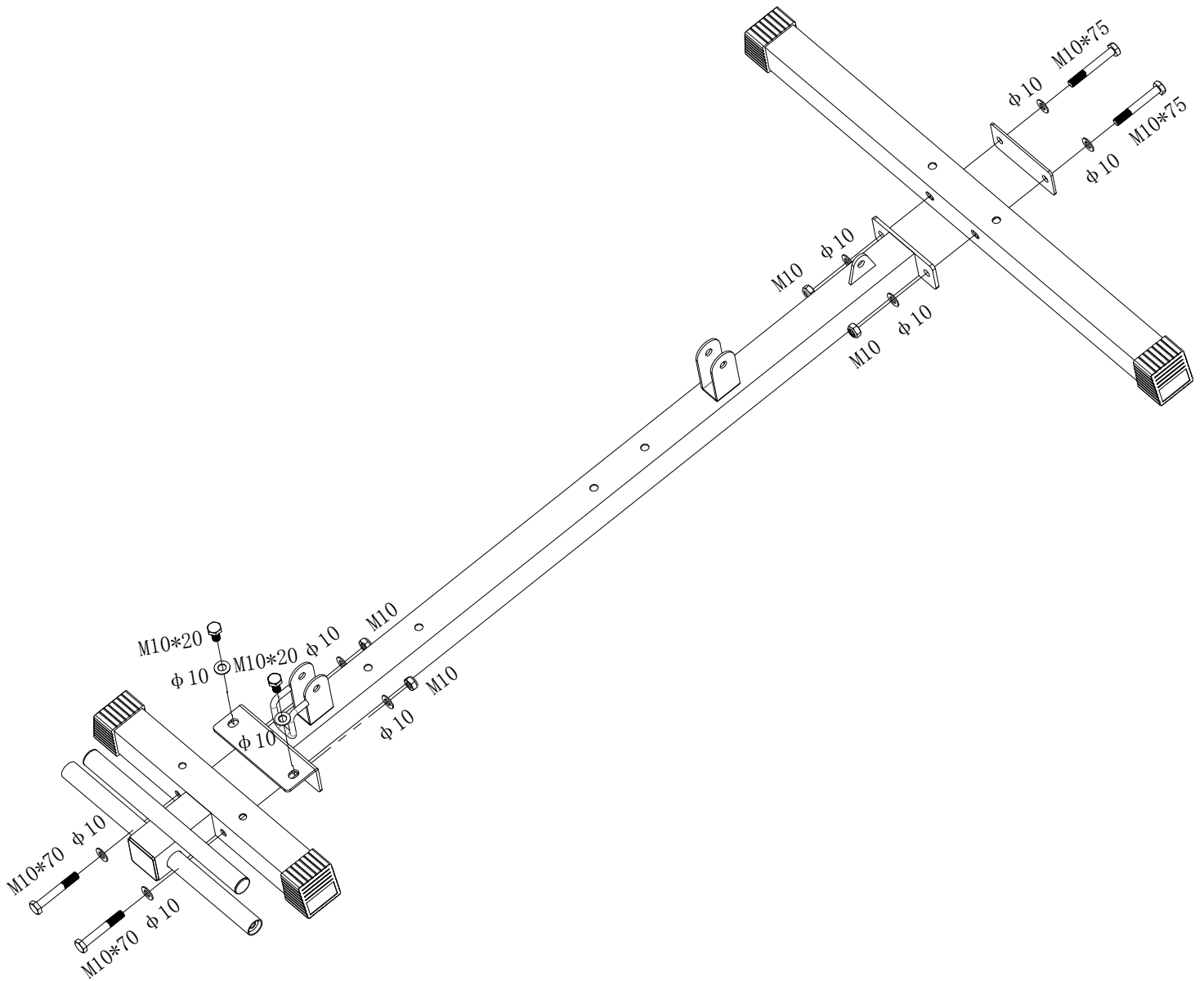
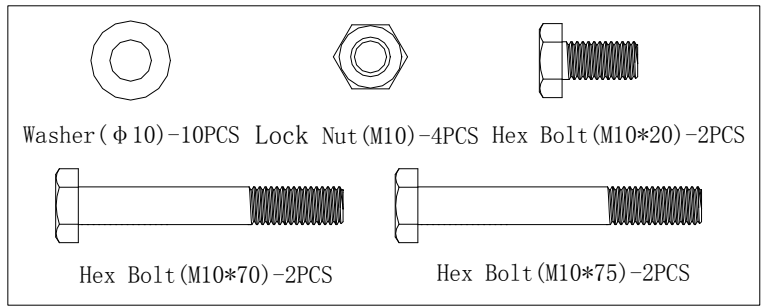


GORILLA SPORTS

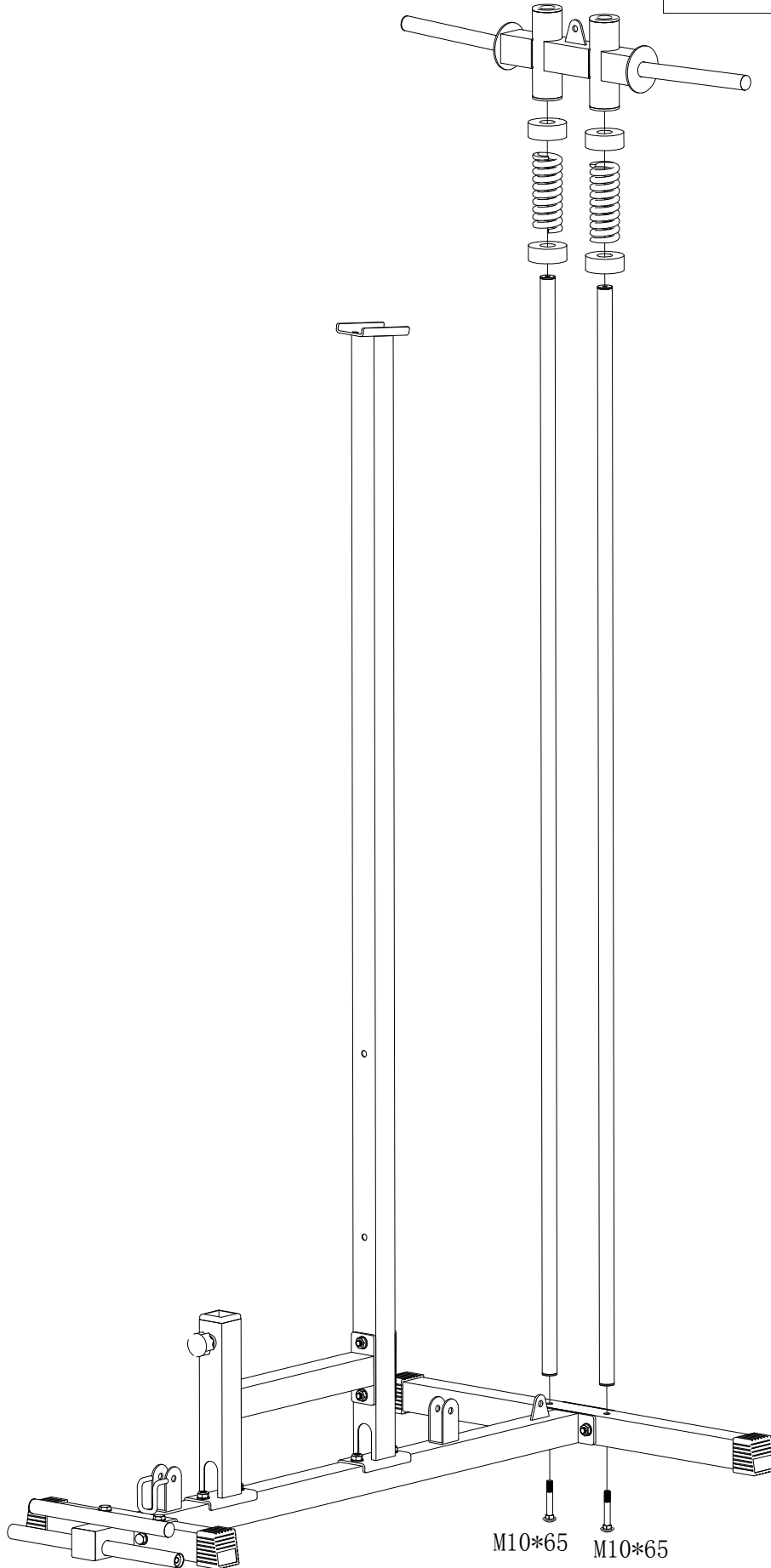
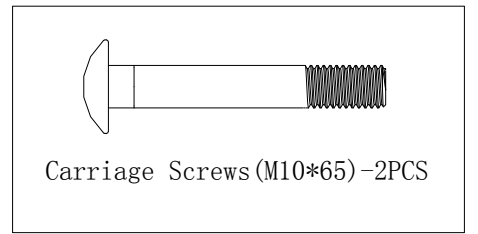


Maximum load: 300kg

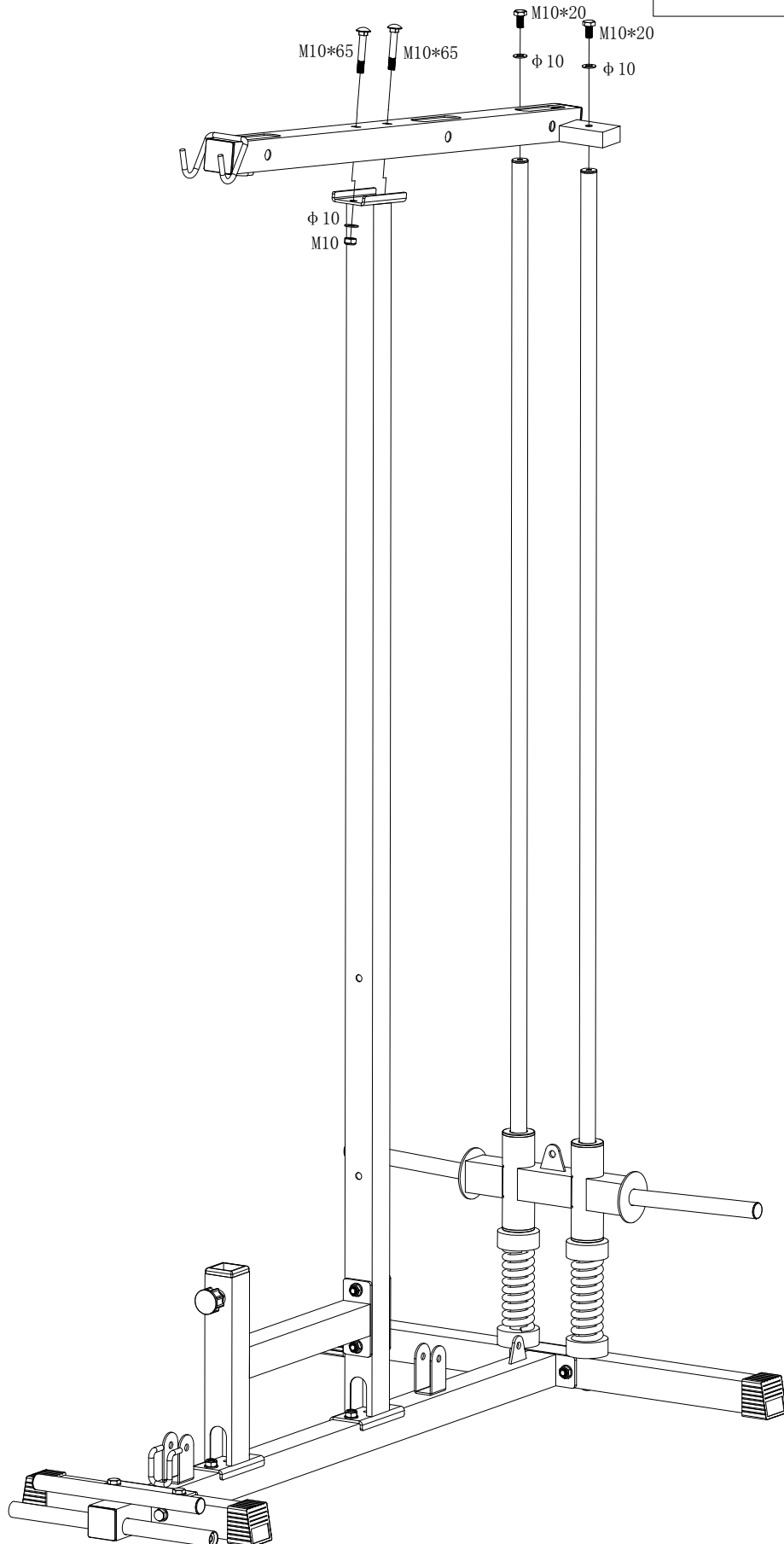
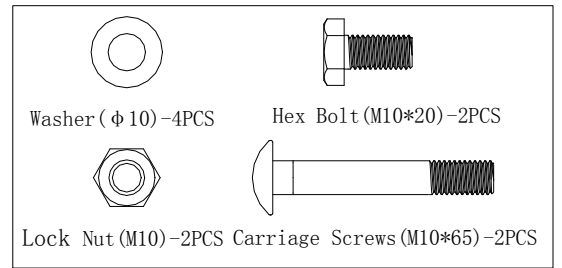
1



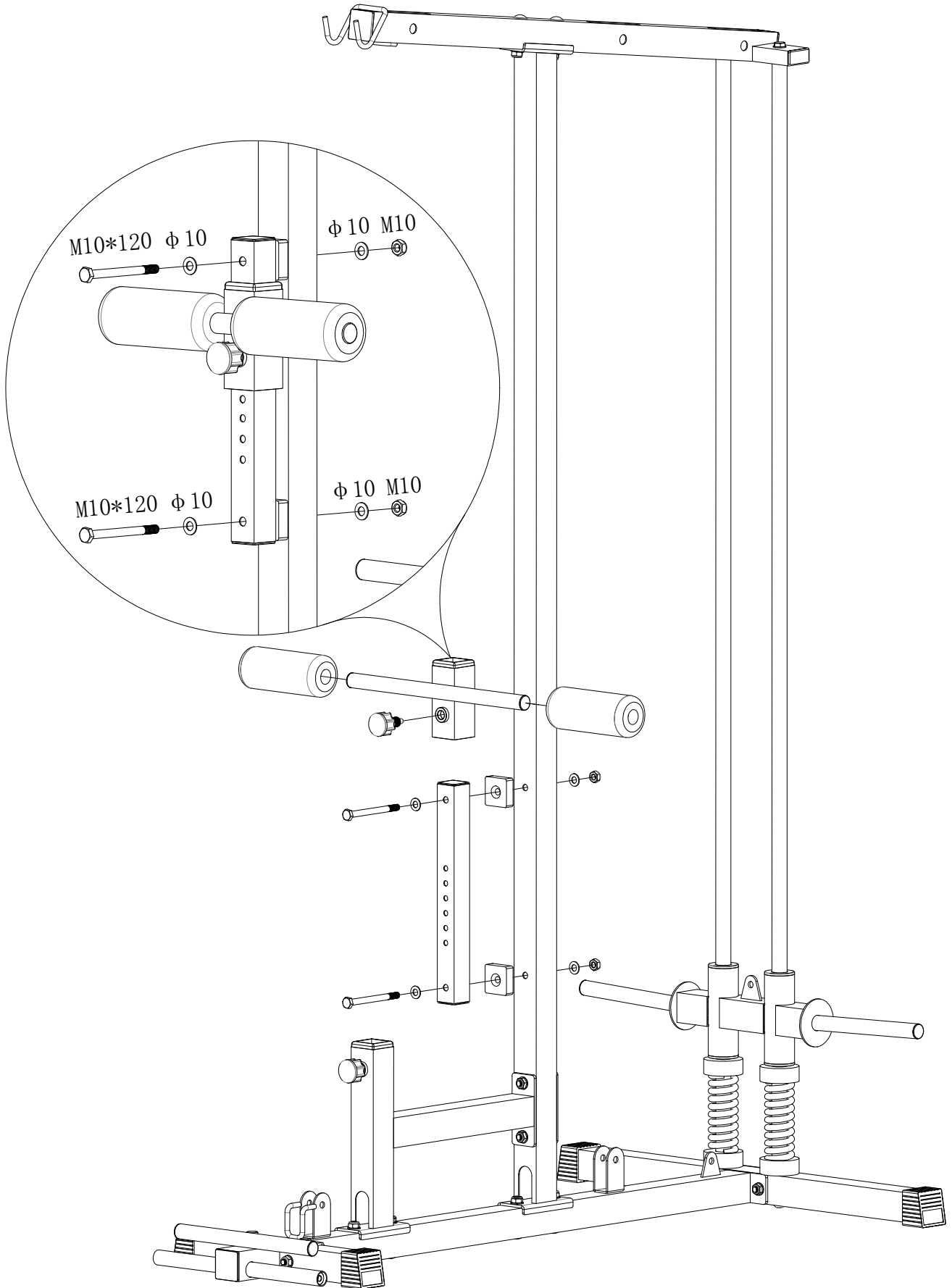
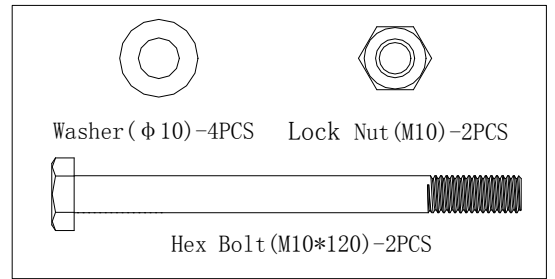
3



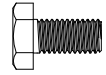
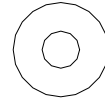
4



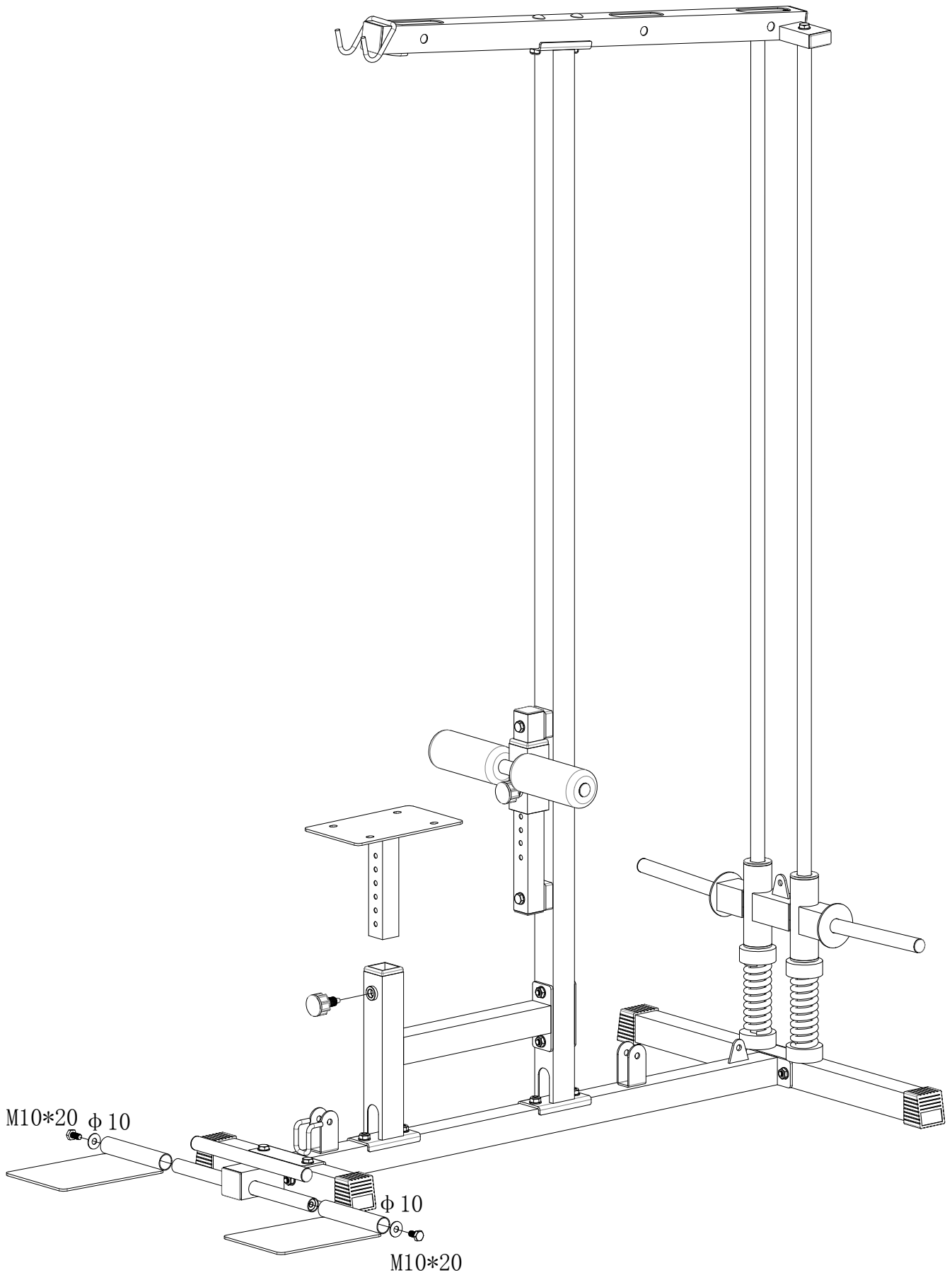
5



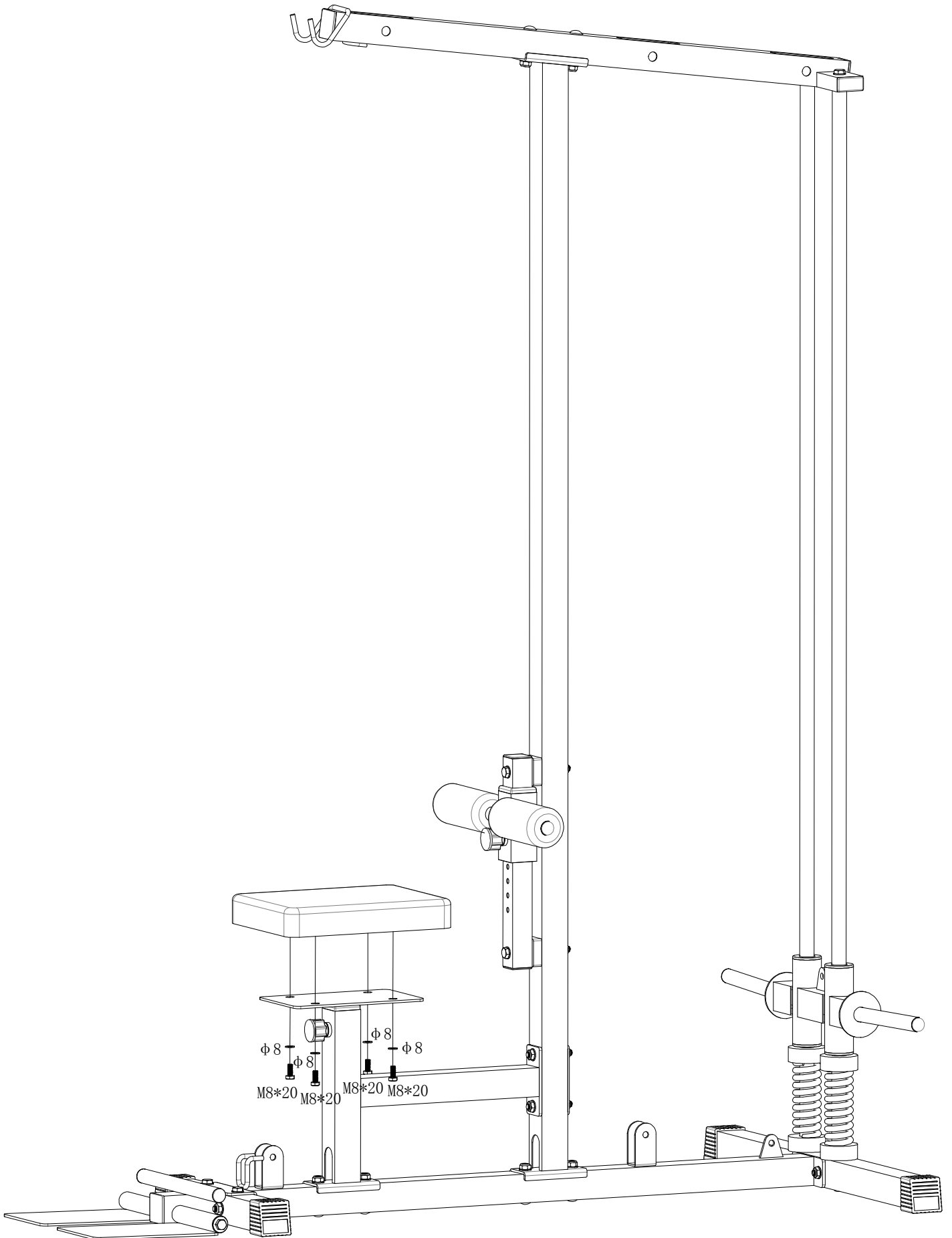
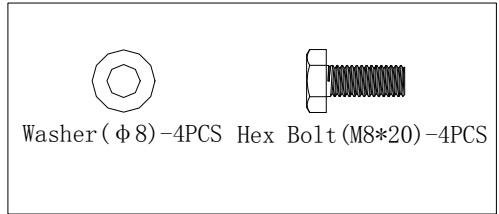
6




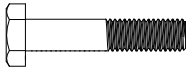

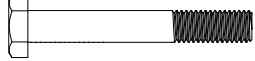
Big Washer (φ 10)-2PCS Hex Bolt (M10*20)-2PCS



7



8

	
Washer ($\phi 10$) -14PCS Hex Bolt (M10*50) -4PCS	
	
Lock Nut (M10) -7PCS Hex Bolt (M10*70) -3PCS	

